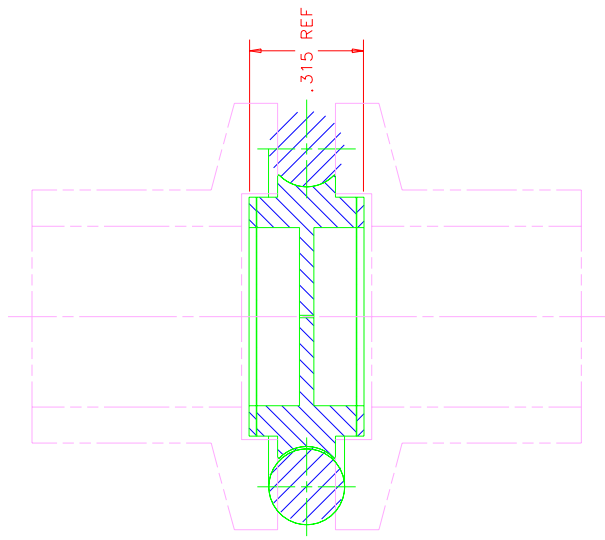
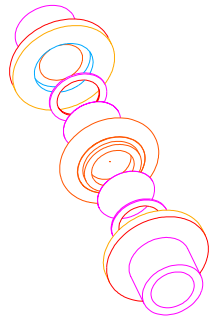
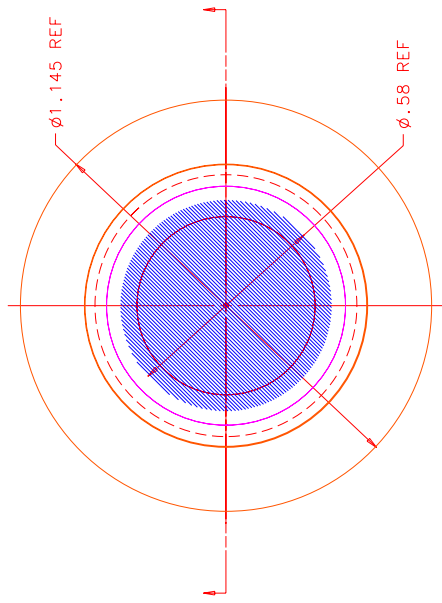


1 2 3 4

REV	DESCRIPTION	DRAWN	DATE
A	REVISED FRONT VIEW TO REFLECT INCREASE IN C-BORE DEPTH.	B. CYKO	02-20-02

D C B A



ITEM	PART NO.	DESCRIPTION OR SIZE	QTY.
3	COML	O-RING, ϕ .910 x .725 I.D., VITON, PARKER, P/N 2-314	1
2	COML	SCREEN, 325 x .325 MESH, ϕ .68, STN 311, 316, MCMASTER-CARR, P/N 5319145	1
1	MB-384412	NW16 CENTERING RING w/ORIFICE	1

PARTS LIST			
UNLESS OTHERWISE SPECIFIED	ORIGINATOR	DATE	
.XX	R.L. SCHMITT	13-FEB-2002	
.XXX	W. CYKO	13-FEB-2002	
+	C. NILA	14 FEB 2002	
+	R.L. SCHMITT	14 FEB 2002	
1. BREAK ALL SHARP EDGES			
2. 10% MAX SCALE DRAWING			
3. DIMENSIONS BASED UPON			
4. ANSI Y14.5M-1982			
4. MAX. ALL MACH. SURFACES			
✓			
MATERIAL			
SEE ABOVE PARTS LIST			

FERMI NATIONAL ACCELERATOR LABORATORY
UNITED STATES DEPARTMENT OF ENERGY

PPD/MECHANICAL DEPT.
CDMS MIXTURE PURIFICATION MANFLD
NW16 CENTERING RING ASSEMBLY

SCALE	DRAWING NUMBER	SHEET	REV
4x	9213.300-MC-384411	1 OF 1	A

CREATED WITH: Ideas8m4 GROUP: PPD/MECHANICAL DEPARTMENT

1 2 3 4