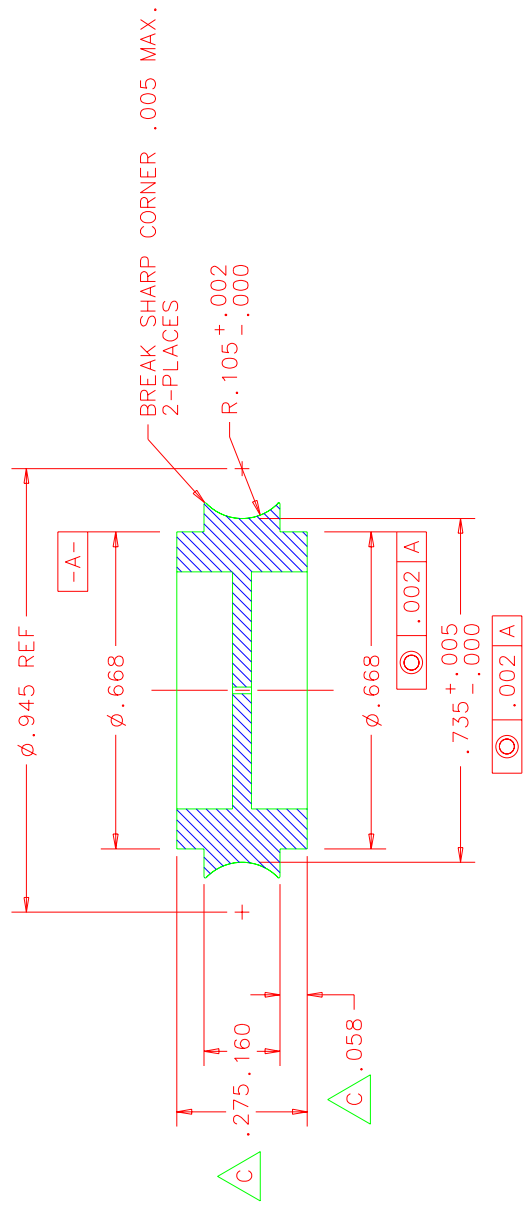
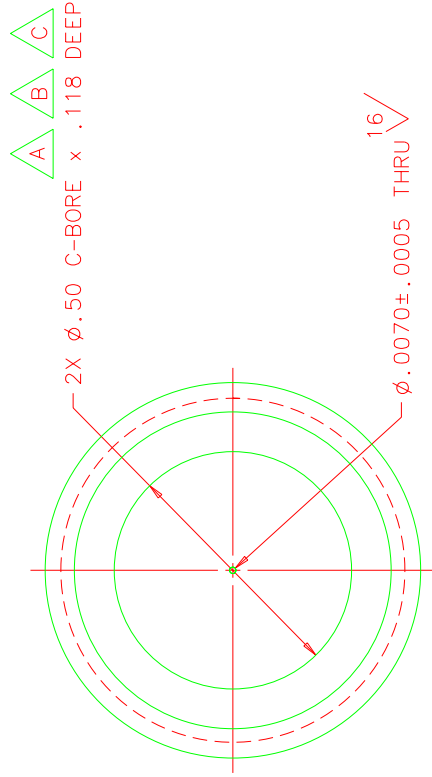


REV	DESCRIPTION	DRAWN		DATE	
		APPROVED		DATE	
A	REVISED C-BORE DEPTH FROM .04 TO .20	B. CYKO		02-20-02	
B	REVISED C-BORE DEPTH FROM .20 TO .275	C. NILA		02-20-02	
C	REVISED C-BORE DEPTH FROM .275 TO 2X .118 REVISED FROM .315 TO .275 REVISED FROM .078 TO .058	B. CYKO		02-25-02	
		F. YOFFE		01-APR-02	



UNLESS OTHERWISE SPECIFIED		ORIGINATOR	DATE
.XX	ANGLES	R. L. SCHMITT	13-FEB-2002
.XXX	DRAWN	W. CYKO	13-FEB-2002
± .01 ± .003 ±	CHECKED	C. NILA	14 FEB 2002
± .01 ± .003 ±	APPROVED	R. L. SCHMITT	17 FEB 2002
USED ON		MC-384411	
MATERIAL		304 STAINLESS STEEL	

32 ✓

FERMI NATIONAL ACCELERATOR LABORATORY
UNITED STATES DEPARTMENT OF ENERGY

PPD/MECHANICAL DEPT.
CDMS MIXTURE PURIFICATION MANFLD
NW16 CENTERING RING W/ORIFICE

SCALE	DRAWING NUMBER	SHEET	REV
4X	9813.300-MB-384412	1 OF 1	C

CREATED WITH: IdecSoft GROUP: PPD/MECHANICAL DEPARTMENT