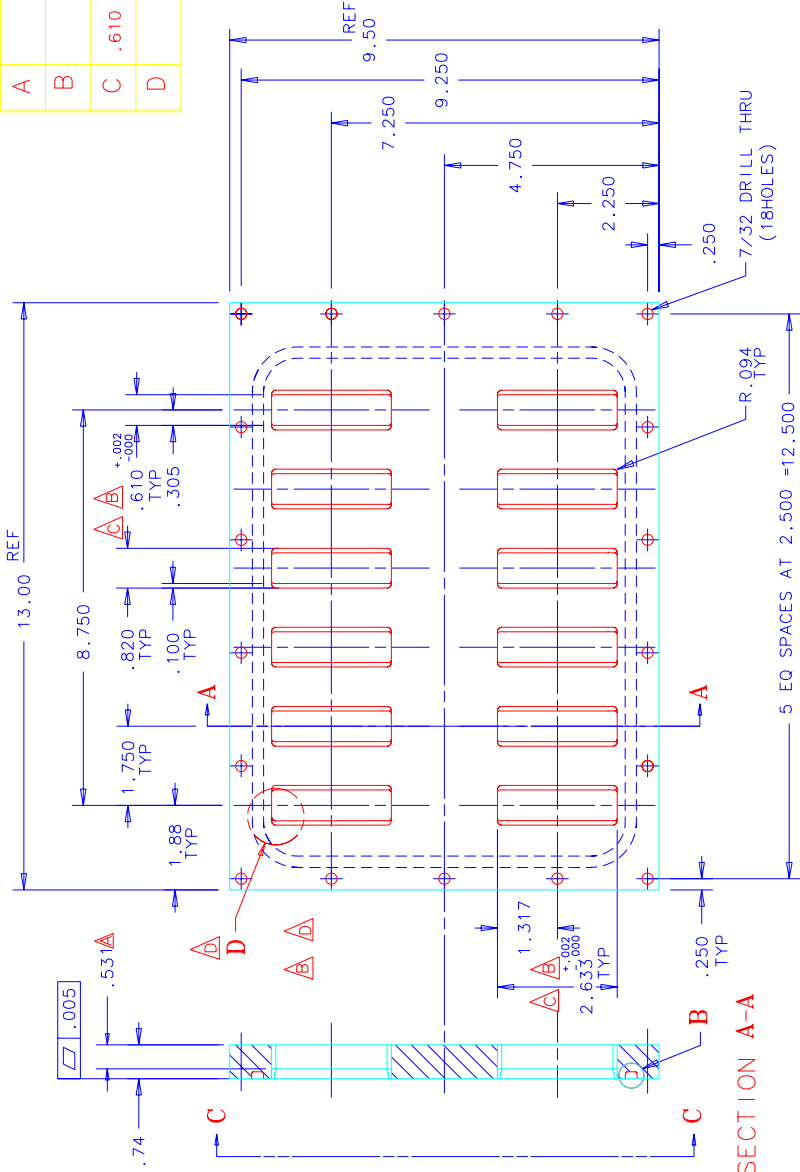
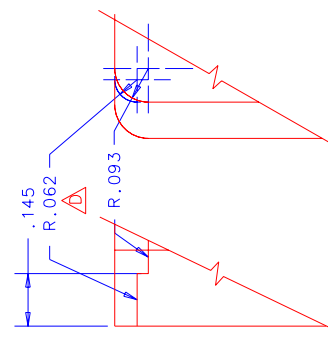


1 2 3 4

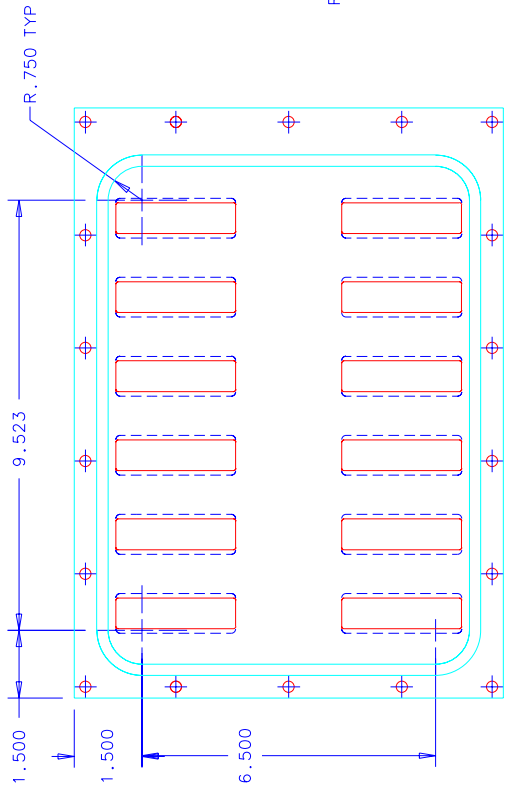
REV.	DESCRIPTION	DRAWN	DATE
A	.531 WAS .125	REEDER	8/28/00
B	2.250 WAS 2.000 2.634 WAS 2.650 .611 WAS .620	C.NILLA	8/28/00
C	.611 X 2.633 WAS .611 X 2.634 .062 R WAS .053 R VIEW D ADDED 2.250 DIM REMOVED	REEDER	11-20-00
D		C.NILLA	11-27-00
		REEDER	12-15-00



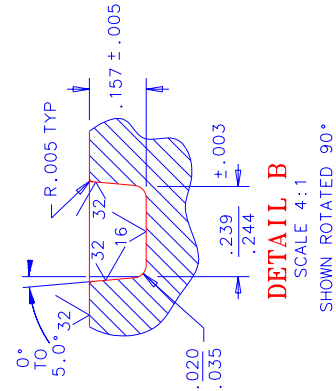
SECTION A-A




VIEW D
SCALE 4:1



VIEW C-C



DETAIL B
SCALE 4:1
SHOWN ROTATED 90°

ITEM NO.	PART NO.	DESCRIPTION OR SIZE	QTY. REQ.
PARTS LIST			
UNLESS OTHERWISE SPECIFIED	ORIGINATOR	R. SCHMITT	5-00
-.XX	DRAWN	REEDER	5-00
± .02	CHECKED	C.NILLA	6-00
± .005	APPROVED	R. SCHMITT	6-00
USED ON MC-397173 ITEM 1			
MATERIAL 3/4 X 9.50 X 13.00 ALLOY #280 MUNTZ METAL CENTRAL STEEL & WIRE			
 FERMI NATIONAL ACCELERATOR LABORATORY UNITED STATES DEPARTMENT OF ENERGY			
PPD/MECHANICAL SUPPORT CDMS BREAKOUT BOX CONNECTOR HOLDER "B"			
SCALE	DRAWING NUMBER	SHEET NO.	REV.
1/2	9213.300-MC-397170	1 OF 1	D

1 2 3 4