

REV	DESCRIPTION	DRAWN	DATE
		APPROVED	

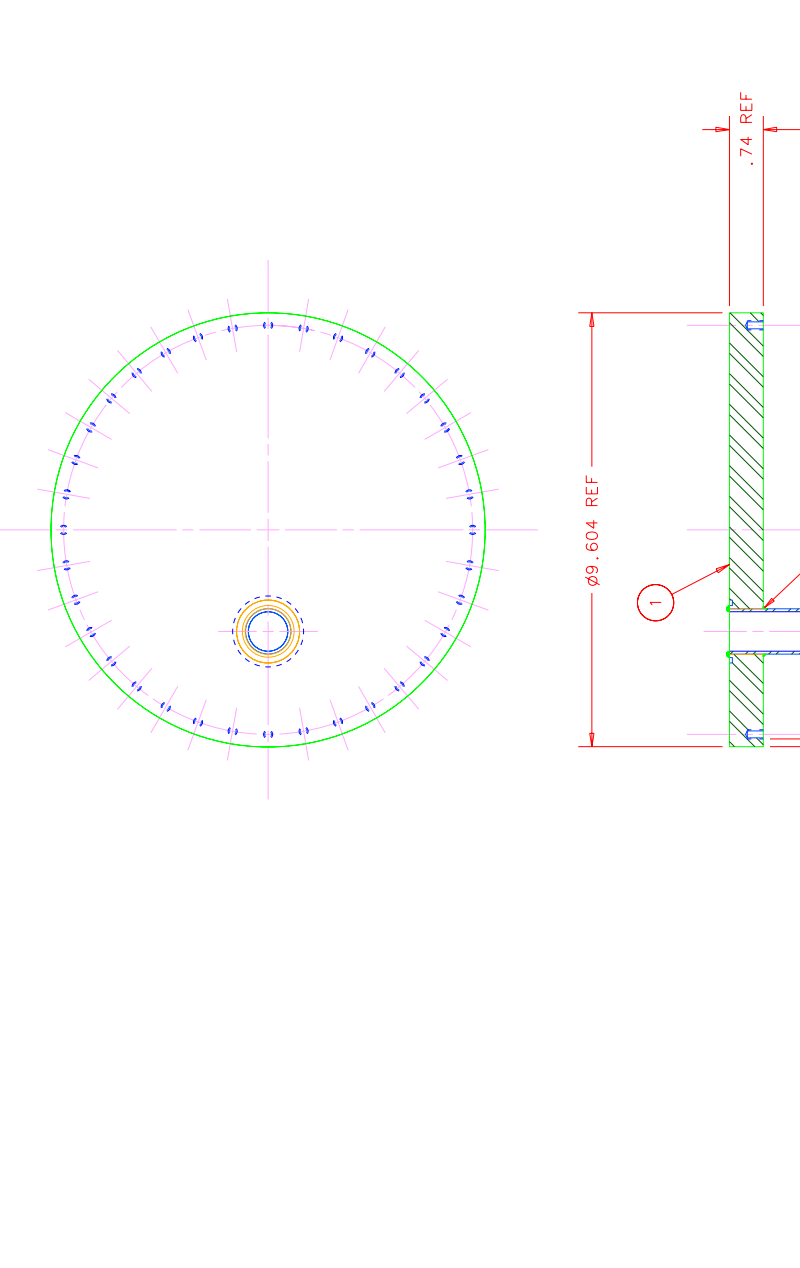
3	COML	KWIK FLANGE, ISO RING, IN25 SHORT WELD STUB FLANGE, MDC #715102	1
2	COML	TUBE, 1" O.D., 3/16" WALL X 10.25 LG., 304 S.S.	1
1	MC-397725	BOTTOM TEST BLIND FLANGE	1
ITEM	PART NO.	DESCRIPTION OR SIZE	QTY.

UNLESS OTHERWISE SPECIFIED		ORIGINATOR	06-FEB-2002
.XX	ANGLES	R. SCHMITT	06-FEB-2002
.XXX	DRAWN	D. FRIEND	06-FEB-2002
± .02	± ---	C. NILA	11-FEB-2002
± ---	± ---	R.L. SCHMITT	11-FEB-2002
1. BREAK ALL SHARP EDGES TO 1/16" MAX.		USED ON	
2. DIMENSIONS BASED UPON ANSI Y14.5M-1992 UNLESS NOTED OTHERWISE.		MATERIAL	
3. DIMENSIONS BASED UPON ANSI Y14.5M-1992 UNLESS NOTED OTHERWISE.		AS NOTED ABOVE	
4. MAX. ALLOWABLE SURFACES 125			

FERMI NATIONAL ACCELERATOR LABORATORY
 UNITED STATES DEPARTMENT OF ENERGY

PPD/MECHANICAL DEPARTMENT
 CDMS: CRYOGENIC SYSTEM
 BOTTOM TEST FLANGE WELDMENT

SCALE	DRAWING NUMBER	SHEET	REV
1/2	3891.502-MC-397727	1 OF 1	1
CREATED WITH: Ideas84		GROUP: PPD/MECHANICAL DEPARTMENT	



1. SURFACE AREA WITHIN THIS DIMENSION SHALL BE PROTECTED TO MAINTAIN THE MICRO FINISH OF 32.

2. VACUUM TEST . . . NO LEAK SHALL BE DETECTABLE ON THE MOST SENSITIVE SCALE OF A HELIUM LEAK DETECTOR WITH A MINIMUM SENSITIVITY OF 10⁻⁹ ATM CC/SEC.

NOTES: